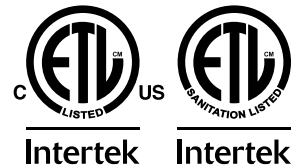




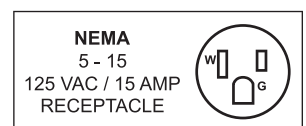
**Wine Cooler**  
*Model WC-CN-0400*  
*Item 43458*  
**Instruction Manual**



*Revised - 09/06/2022*



Toll Free: 1-800-465-0234  
Fax: 905-607-0234  
Email: [service@omcan.com](mailto:service@omcan.com)  
[www.omcan.com](http://www.omcan.com)



# ***Table of Contents***

Model WC-CN-0400

---

<b>Section</b>	<b>Page</b>
Disclaimer -----	3
General Information -----	4 - 5
Safety and Warranty -----	5 - 7
Technical Specifications -----	7
Operation -----	7 - 9
Maintenance -----	9
Troubleshooting -----	9 - 10
Parts Breakdown -----	11 - 13
Electrical Schematics -----	14
Warranty Registration -----	15

## *Disclaimer*

---

***OMCAN IS NOT RESPONSIBLE FOR ANY DAMAGES DUE TO WATER LEAKS. WARRANTY FOR WATER LEAKS IS VOID IF THE WICKING PAD IS NOT REPLACED EVERY SIX MONTHS, AND IF THE AMBIENT ROOM TEMPERATURE EXCEEDS 75°F AND 55% RELATIVE HUMIDITY, AND THE APPLIANCE DRAIN IS NOT CONNECTED DIRECTLY TO THE FLOOR DRAIN.***

# **General Information**

---

**Omcan Manufacturing and Distributing Company Inc., Food Machinery of America, Inc. dba Omcan and Omcan Inc. are not responsible for any harm or injury caused due to any person's improper or negligent use of this equipment. The product shall only be operated by someone over the age of 18, of sound mind, and not under the influence of any drugs or alcohol, who has been trained in the correct operation of this machine, and is wearing authorized, proper safety clothing. Any modification to the machine voids any warranty, and may cause harm to individuals using the machine or in the vicinity of the machine while in operation.**

## **CHECK PACKAGE UPON ARRIVAL**

Upon receipt of an Omcan shipment please inspect for external damage. If no damage is evident on the external packaging, open carton to ensure all ordered items are within the box, and there is no concealed damage to the machine. If the package has suffered rough handling, bumps or damage (visible or concealed), please note it on the bill of lading before accepting the delivery and contact Omcan within 24 hours, so we may initiate a claim with the carrier. A detailed report on the extent of the damage caused to the machine must be filled out within three days, from the delivery date shown in the shipping documents. Omcan has no recourse for damaged products that were shipped collect or third party.

**Before operating any equipment, always read and familiarize yourself with all operation and safety instructions.**

**Omcan would like to thank you for purchasing this machine. It's of the utmost importance to save these instructions for future reference. Also save the original box and packaging for shipping the equipment if servicing or returning of the machine is required.**

---

**Omcan Fabrication et distribution Compañie Limité et Food Machinery d'Amérique, dba Omcan et Omcan Inc. ne sont pas responsables de tout dommage ou blessure causé du fait que toute personne ait utilisé cet équipement de façon irrégulière. Le produit ne doit être exploité que par quelqu'un de plus de 18 ans, saine d'esprit, et pas sous l'influence d'une drogue ou d'alcool, qui a été formé pour utiliser cette machine correctement, et est vêtu de vêtements de sécurité approprié. Toute modification de la machine annule toute garantie, et peut causer un préjudice à des personnes utilisant la machine ou des personnes à proximité de la machine pendant son fonctionnement.**

## **VÉRIFIEZ LE COLIS DÈS RÉCEPTION**

Dès réception d'une expédition d'Omcan veuillez inspecter pour dommages externes. Si aucun dommage n'est visible sur l'emballage externe, ouvrez le carton afin de s'assurer que tous les éléments commandés sont dans la boîte, et il n'y a aucun dommage dissimulé à la machine. Si le colis n'a subi aucune mauvaises manipulations, de bosses ou de dommages (visible ou cachée), notez-le sur le bond de livraison avant d'accepter la livraison et contactez Omcan dans les 24 heures qui suivent, pour que nous puissions engager une réclamation auprès du transporteur. Un rapport détaillé sur l'étendue des dommages causés à la machine doit être rempli dans un délai de trois jours, à compter de la date de livraison indiquée dans les documents d'expédition. Omcan n'a aucun droit de recours pour les produits endommagés qui ont été expédiés ou cueilli par un tiers transporteur.



# General Information

---

Avant d'utiliser n'importe quel équipement, toujours lire et vous familiariser avec toutes les opérations et les consignes de sécurité.

Omcan voudrais vous remercier d'avoir choisi cette machine. Il est primordial de conserver ces instructions pour une référence ultérieure. Également conservez la boîte originale et l'emballage pour l'expédition de l'équipement si l'entretien ou le retour de la machine est nécessaire.

---

Omcan Empresa De Fabricacion Y Distribucion Inc. Y Maquinaria De Alimentos De America, Inc. dba Omcan y Omcan Inc. no son responsables de ningun daño o perjuicio causado por cualquier persona inadecuada o el uso descuidado de este equipo. El producto solo podra ser operado por una persona mayor de 18 años, en su sano juicio y no bajo alguna influencia de droga o alcohol, y que este ha sido entrenado en el correcto funcionamiento de esta máquina, y ésta usando ropa apropiada y autorizada. Cualquier modificación a la máquina anula la garantía y puede causar daños a las personas usando la máquina mientras esta en el funcionamiento.

## REVISE EL PAQUETE A SU LLEGADA

Tras la recepcion de un envio Omcan favor inspeccionar daños externos. Si no hay daños evidentes en el empaque exterior, Habra el carton para asegurarse que todos los articulos solicitados estén dentro de la caja y no encuentre daños ocultos en la máquina. Si el paquete ha sufrido un manejo de poco cuidado, golpes o daños (visible o oculto) por favor anote en la factura antes de aceptar la entrega y contacte Omcan dentro de las 24 horas, de modo que podamos iniciar una reclamación con la compañía. Un informe detallado sobre los daños causados a la máquina debe ser llenado en el plazo de tres días, desde la fecha de entrega que se muestra en los documentos de envío. Omcan no tiene ningun recurso por productos dañados que se enviaron a recoger por terceros.

Antes de utilizar cualquier equipo, siempre lea y familiarizarse con todas las instrucciones de funcionamiento y seguridad.

Omcan le gustaría darle las gracias por la compra de esta máquina. Es de la mayor importancia para salvar estas instrucciones para futuras consultas. Además, guarda la caja original y el embalaje para el envío del equipo si servicio técnico o devolución de la máquina que se requiere.

# Safety and Warranty

---

<b>Handle with care</b>	<b>Dry place</b>
Unplug the wall socket first. Never tilt it over 45 degrees when handling.	Always place the refrigerator in a dry location.

# Safety and Warranty

<p><b>Sufficient space</b> The distance from both sides and back of refrigerator to wall or other substance must be no less than 10 cm (4"). The refrigeration capability may decrease if its surrounding space is too small to circulate air.</p>	<p><b>Well ventilated</b> Always place the refrigerator in an area with proper ventilation. When using for the first time, wait at least 2 hours after handling to start.</p>
<p><b>Far from heat source</b> Never place the refrigerator under direct sunlight. Never place refrigerator near heat source, as it reduces refrigeration capabilities.</p>	<p><b>Heavy load</b> Never put any heavy objects on top of the refrigerator.</p>
<p><b>Do not make holes</b> Never make any holes on the refrigerator. Do not attach any objects onto the refrigerator.</p>	<p><b>Stable Location</b> Unpack and place the refrigerator on level and stable ground.</p>
<p><b>Exclusive power socket</b> Normally, the power supply should be 110V, 60 Hz single phase AC with exclusive single phase receptacle.</p>	<p><b>Do not share the socket</b> Never let the refrigerator share a socket with another appliance. The cable may become hot and this may cause a fire.</p> <p><b>DO NOT USE EXTENSION CORDS.</b></p>
<p><b>Protect cables</b> Never break or damage the cables as this may cause current leakage resulting in a fire.</p>	<p><b>No water flushing</b> Never spray down refrigerator with pressurized water supply.</p>
<p><b>Avoid flammable and explosive objects</b> Never put any flammable or explosive items inside the refrigerator such as gasoline or alcohol. Never put any dangerous products in close proximity to the refrigerator.</p>	<p><b>No spray</b> Do not spray the unit with a flammable substance such as paint. This may result in a fire.</p>
<p><b>After power break</b> After power break or unplugging the refrigerator, always wait at least 4 minutes before starting the refrigerator again.</p>	<p><b>Medical Storage</b> No medicine is allowed to be kept inside the refrigerator.</p>

**RESIDENTIAL USERS: Vendor assumes no liability for parts or labor coverage for component failure or other damages resulting from installation in non-commercial or residential applications. The right is reserved to deny shipment for residential usage; if this occurs, you will be notified as soon as possible.**

## 1 YEAR PARTS AND LABOUR WARRANTY

Within the warranty period, contact Omcan Inc. at 1-800-465-0234 to schedule an Omcan authorized service technician to repair the equipment locally.

Unauthorized maintenance will void the warranty. Warranty covers electrical and part failures, not improper use.



# Safety and Warranty

Please see <https://omcan.com/disclaimer> for complete info.

## WARNING:

The packaging components are classified as normal solid urban waste and can therefore be disposed of without difficulty.

In any case, for suitable recycling, we suggest disposing of the products separately (differentiated waste) according to the current norms.

**DO NOT DISCARD ANY PACKAGING MATERIALS IN THE ENVIRONMENT!**

# Technical Specifications

Model	WC-CN-0400
Temperature Range	5 - 18°C / 41 - 64°F
Max Ambient Temp Rating	24°C / 75°F
Rated Input Power	390 W
LED Lamp Power	1.5 W (x4)
Bottle Capacity	81
Rated Current	3.8A
Refrigerant & Injection	R290 (120g)
Electrical	110V / 60Hz
Dimensions	25.8" x 25.7" x 74.5" / 656 x 653 x 1892mm
Packaging Dimensions	29.5" x 29.5" x 76" / 749 x 749 x 1930mm
Weight	359 lbs. / 163 kgs.
Packaging Weight	410 lbs. / 186 kgs.
Item Number	43458

# Operation

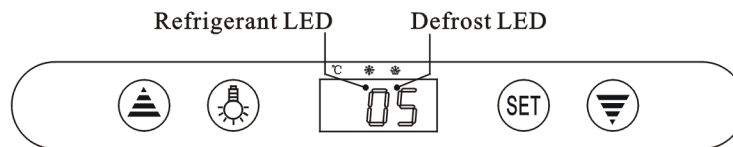
## BEFORE USE

Plug the refrigerator in a 110V~ socket exclusively for the unit. After the refrigerator is running, test the air suction to confirm it is sufficiently cold. Then you may put food inside the unit. Make sure the food product is

# Operation

already cooled before placing it in the display case. The unit should not be used to cool food products.



## DIGITAL TEMPERATURE CONTROLLER



Features of the Controller:

- It is a mini sized and integrated intelligent controller and applicable to the compressor of one Hp.
- The main functions are: Temperature Display/Temperature Control/Manual, Automatic Defrost by Burning Off/Light Control/Value Storing/Self Testing/Parameter Locking.

Controller Operation:

1. Set Temperature: Press **SET** button, the set temperature is displayed. Press ▲ or ▼ button to modify and store the displayed value. Press **SET** button to exit the adjustment and display the cold-room temperature.
2. If no more button is pressed within 10 seconds, the cold-room temperature will be displayed.
3. Illumination: Press  button, it lights; Press again, it stops. Manual start/stop defrost: Press  button and hold for 6 seconds to defrost or stop defrost.
4. Refrigerant LED: During refrigeration, the LED is on; When the cold room temperature is constant, the LED is off; During the delay start, the LED flashes.
5. Defrost LED: during defrosting, the LED is on; When it stops defrosting, the LED is off, During the delay display of defrost, the LED flashes.

## CAUTION

- Reducing the frequency of opening the refrigerator door will keep more cold air inside the refrigerator.
- Do not block air suction or outlet. Air must continue circulating to increase refrigeration capability.
- Do not over fill or over stock the refrigerator, as it will influence the cooling effect. Adjust the rack height for proper food storage.
- Cool hot food down to room temperature before storing it in the refrigerator.
- Try to reduce open times and keep refrigerator cold and closed, if power is ever off. Only allow a skilled service individual with proper tools to repair damaged power cables. Never touch compressor, as it can result in injury.
- If supply cord is damaged, it must be replaced by the manufacturer, its service agent, or similarly qualified persons in order to avoid a hazard.
- This appliance is not intended for use by persons (including children) with reduced physical, sensory or mental capabilities, or lack of experience and knowledge, unless they have been given supervision or instruction concerning use of the appliance by a person responsible for their safety.
- Children should be supervised to ensure that they do not play with the appliance.

**WARNING:** Keep ventilation openings, in the appliance enclosure or in the built-in structure, clear of obstruction.

**WARNING:** Do not use mechanical devices of other means to accelerate the defrosting process, other than



# Operation

those recommended by the manufacturer.

**WARNING:** Do not damage the refrigerant circuit.

**WARNING:** Do not use electrical appliances inside the food storage compartments of the appliance, unless they are of the type recommended by the manufacturer.



**CAUTION:** Risk of fire. The height of the triangle in the symbol shall be at least 15mm.

# Maintenance

Keep the refrigerator clean and periodical maintenance is necessary. Always unplug the socket before maintenance. Never use damaged plug or loose socket to prevent from electric shock or short circuit. Never flush the refrigerator. Never use alkali detergent, soap, gasoline, acetone or brush.

1. Clean outside:  
Dip soft cloth in neutral detergent (tableware detergent) to clean the outside of the refrigerator and then wipe it with dry soft cloth.
2. Clean inside:  
Take rack out for cleaning with water. Use soft cloth to wipe the box.
3. Shut down refrigerator for a long time:  
Take all food out and unplug the wall socket. Clean both inside and outside of the refrigerator thoroughly and open the door for sufficient dry. The glass breaks easily. Keep the glass far from children.
4. Replacement of lamp in the light box:  
If the LED lamp is damaged, it must be replaced by the manufacturer, or its service agent.

# Troubleshooting

Trouble	Cause	Remedy
No refrigeration.	Is the plug in the socket correctly?	Check the plug.
	Is the fuse broken?	Check fuse and replace if needed.
	Is there no power from the socket?	Plug another unit into the socket to check if it works.

# Troubleshooting

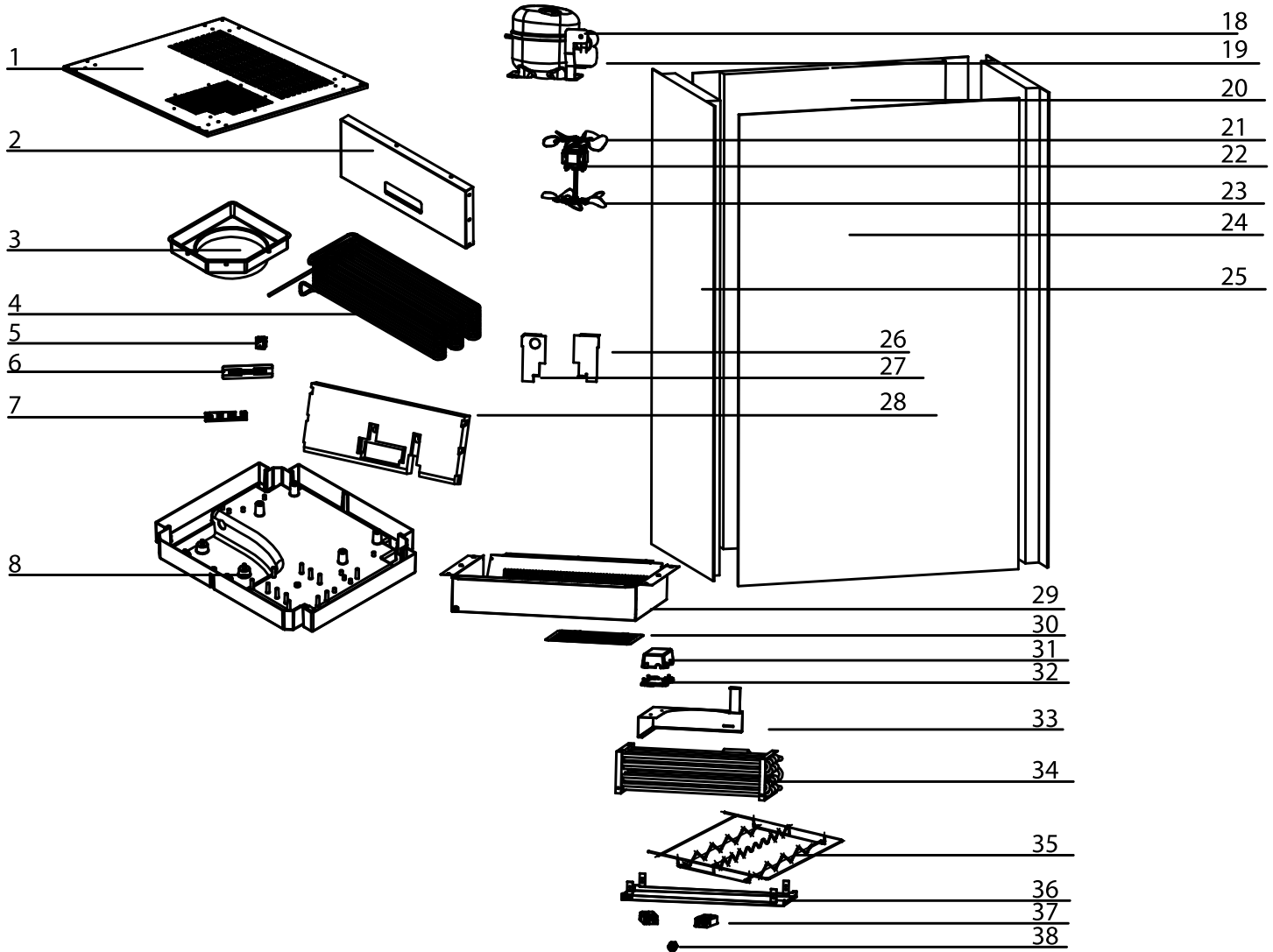
Unsatisfactory refrigeration.	Is it in direct sunlight or near a heat source?	Move away from the heat source.
	Is the surrounding area bad for ventilation?	Move to an area with improved ventilation.
	Does the door close correctly? Is the door left open?	Check the door.
	Is the unit too full?	Remove some food.
	Is the temperature controller correct?	Check the controller.
Too much noise.	The fridge is not sitting level.	Move to a flat surface.
	The fridge is vibrating off something else.	Move the unit so it is not touching anything.
	There is a loose part in the refrigerator.	Check the interior for loose items.
Contact Omcan at 1-800-465-0234 for help if simple troubleshooting does not solve the problems.		

The following situations are not problems:

1. The murmur of water is heard when the refrigerator is working. This is normal as the coolant is circulating in the system.
2. Condensation may be found on the outside of the refrigerator. This is not a problem, this is caused by high humidity. Simply use a cloth to wipe it.

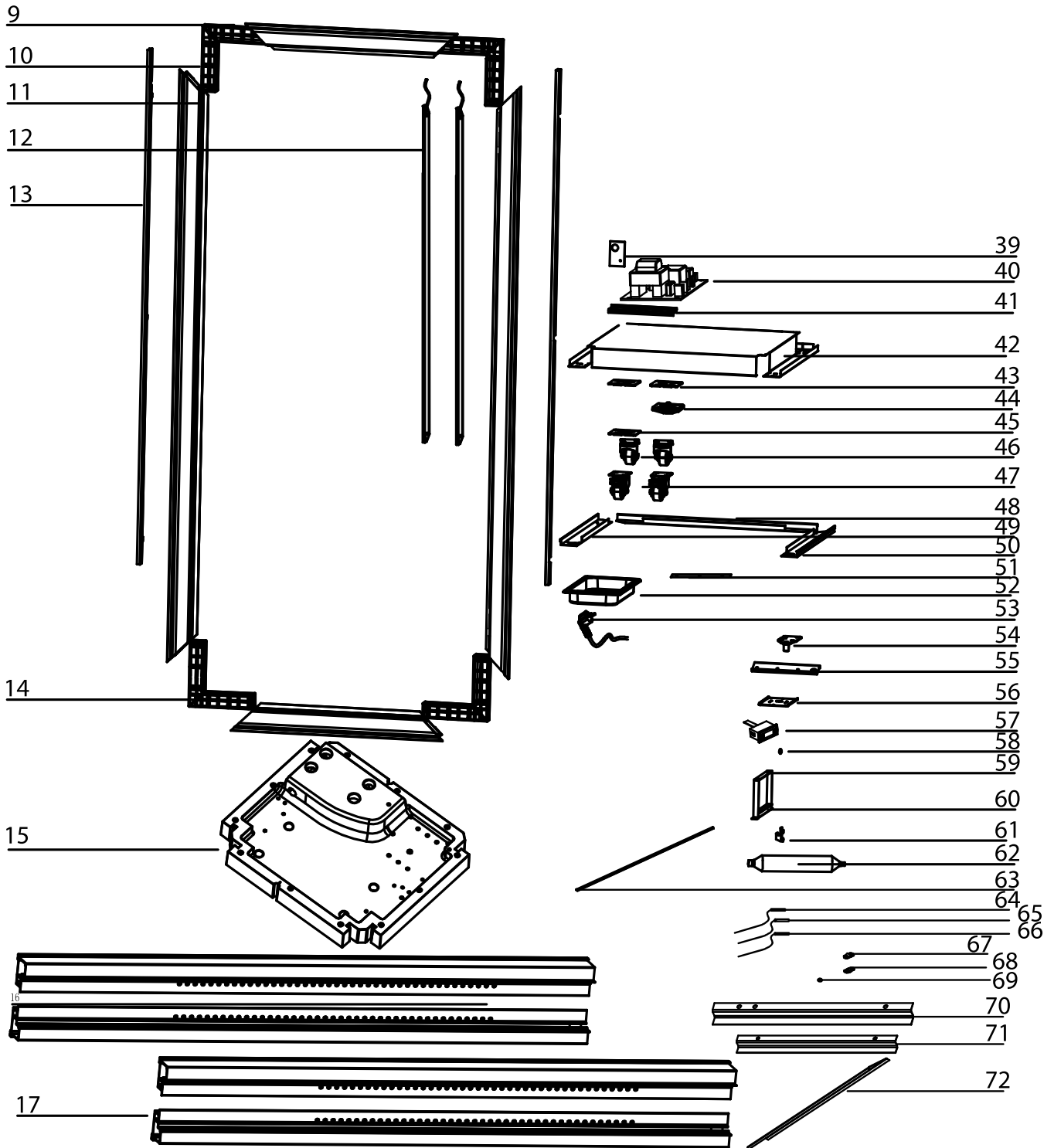
# Parts Breakdown

Model WC-CN-0400 43458



# Parts Breakdown

Model WC-CN-0400 43458



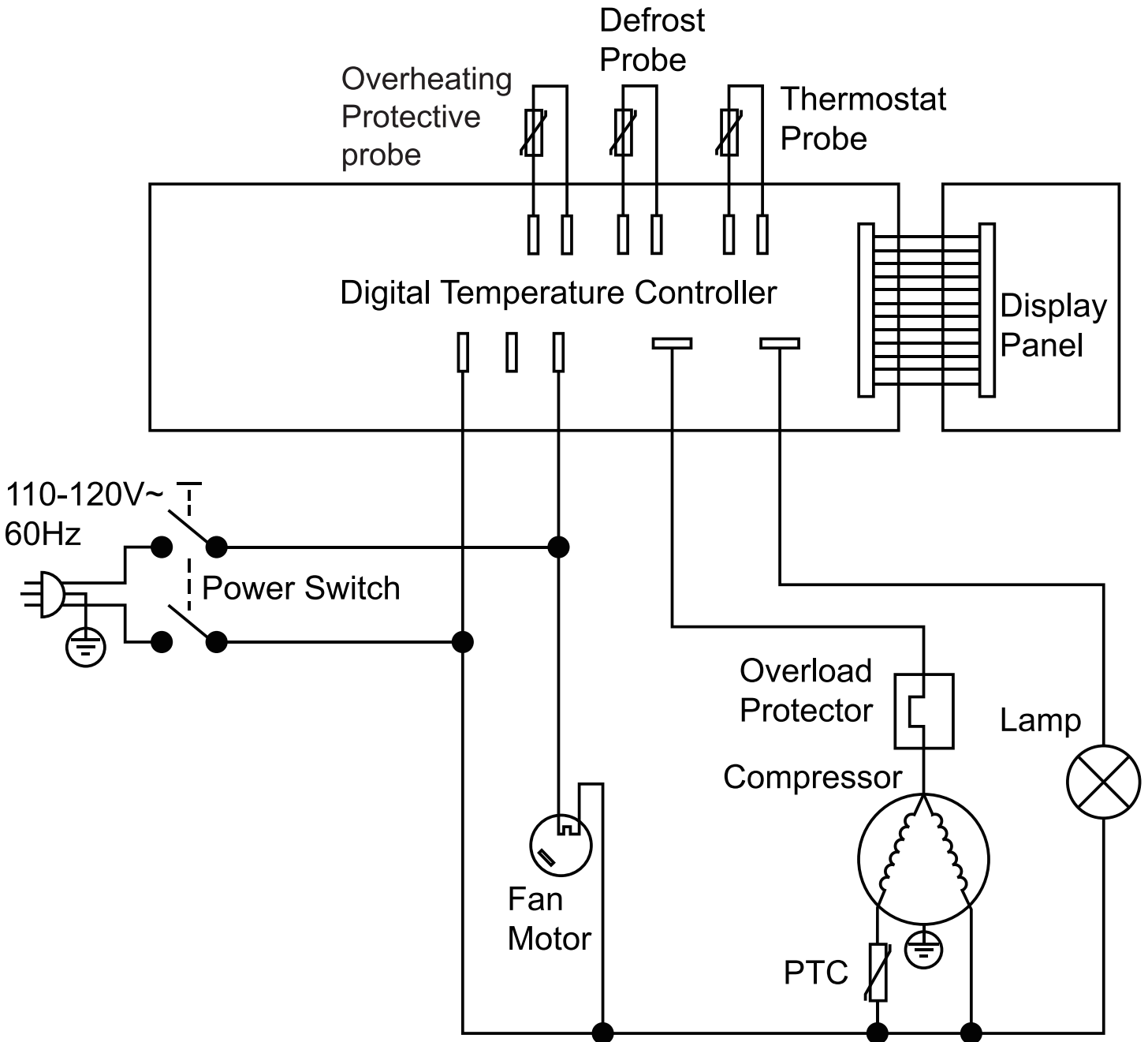
# Parts Breakdown

## Model WC-CN-0400 43458

Item No.	Description	Position	Item No.	Description	Position	Item No.	Description	Position
60516	Upper Cover Panel for 43458	1	60540	Side Glass for 43458	25	60564	Glass Left Decoration for 43458	49
60517	Up Front Panel for 43458	2	60541	Right Evaporator Air Deflector for 43458	26	60565	Glass Right Decoration for 43458	50
60518	Condenser Flange for 43458	3	60542	Left Evaporator Air Deflector for 43458	27	60566	Front Panel Connection for 43458	51
60519	Condenser for 43458	4	60543	Up Front Panel Foam for 43458	28	60098	1/3 GN Pan for 43458	52
71514	Switch for 43458	5	60544	Condenser Air Bleeder Cap for 43458	29	60568	Power Cord for 43458	53
60521	Display Label for 43458	6	60545	Air Inlet Panel for 43458	30	60569	Upper Door Bolt Fastener for 43458	54
60522	Thermostat Bracket for 43458	7	60137	Controller Box for 43458	31	60570	Upper Door Frame Fastener for 43458	55
60523	Bottom Base of Compressor for 43458	8	60136	Controller Panel for 43458	32	60571	Motor Fixing Plate for 43458	56
60524	Upper and Bottom Door Frame for 43458	9	60548	Evaporator Flange for 43458	33	60572	Temperature Display for 43458	57
60525	Door Frame Square Connector (Big Angle) for 43458	10	60549	Evaporator for 43458	34	60573	Line Protector Ring for 43458	58
60526	Around the Door Frame for 43458	11	60550	Fence Frame for 43458	35	60574	Condenser Briquetting for 43458	59
60527	LED Lights for 43458	12	60551	Drip Tray for 43458	36	60575	Condenser Shim for 43458	60
60528	Front Pole Decoration for 43458	13	60552	Power Actuator for 43458	37	60576	Shelf Clip for 43458	61
60529	Door Frame Square Connector (Small Angle) for 43458	14	60553	Power Line Lock Part for 43458	38	60577	Dry Filter for 43458	62
60530	Condenser Foam for 43458	15	60554	Power Line Lock Panel for 43458	39	60578	Strip Seal for 43458	63
60531	Rear Left and Right Poles for 43458	16	60555	Main Circuit Board for 43458	40	60579	Temperature Probe for 43458	64
60532	Front Left and Right Poles for 43458	17	60556	Bottom Door Frame Fixing Plate for 43458	41	60580	Defrost Probe for 43458	65
60533	Compressor Capacitance Supporter for 43458	18	60557	Base for 43458	42	60581	High Temperature Probe for 43458	66
60534	Compressor for 43458	19	60558	Left and Right Wheel Shim for 43458	43	61245	Wire Clip Cover for 43458	67
60535	Back Glass for 43458	20	60559	Wheel Shim Fixed Stopple for 43458	44	61246	Wire Clip Holder for 43458	68
60536	Upper Fan Blade for 43458	21	60560	Front Left Wheel Shim for 43458	45	60582	Plane Bearing for 43458	69
60537	Fan Motor for 43458	22	60561	Rear Wheels for 43458	46	60583	Side Rail for Water Tray for 43458	70
60538	Base Fan Blade for 43458	23	60562	Front Wheels for 43458	47	60584	Support Bar for Water Tray for 43458	71
60539	Door Glass for 43458	24	60563	Glass Rear Decoration for 43458	48	60585	Left and Right Stainless Steel Door Strip for 43458	72

# Electrical Schematics

Model WC-CN-0400 43458





# Warranty Registration

Thank you for purchasing an Omcan product. To register your warranty for this product, complete the information below, tear off the card at the perforation and then send to the address specified below. You can also register online by visiting:

Merci d'avoir acheté un produit Omcan. Pour enregistrer votre garantie pour ce produit, complétez les informations ci-dessous, détachez la carte au niveau de la perforation, puis l'envoyer à l'adresse spécifiée ci-dessous. Vous pouvez également vous inscrire en ligne en visitant:

Gracias por comprar un producto Omcan usted. Para registrar su garantía para este producto, complete la información a continuación, cortar la tarjeta en la perforación y luego enviarlo a la dirección indicada a continuación. También puede registrarse en línea en:

<https://omcan.com/warranty-registration/>

For mailing in Canada

Pour postale au Canada

Por correo en Canadá

**OMCAN**

PRODUCT WARRANTY REGISTRATION

3115 Pepper Mill Court,

Mississauga, Ontario

Canada, L5L 4X5

For mailing in the US

Pour diffusion aux États-Unis

Por correo en los EE.UU.

**OMCAN**

PRODUCT WARRANTY REGISTRATION

4450 Witmer Industrial Estates, Unit 4,

Niagara Falls, New York

USA, 14305

*or email to: [service@omcan.com](mailto:service@omcan.com)*



Purchaser's Information

Name: \_\_\_\_\_

Address: \_\_\_\_\_

City: \_\_\_\_\_ Province or State: \_\_\_\_\_ Postal or Zip: \_\_\_\_\_

Country: \_\_\_\_\_

Dealer from which Purchased: \_\_\_\_\_

Dealer City: \_\_\_\_\_ Dealer Province or State: \_\_\_\_\_

Invoice: \_\_\_\_\_

Model Name: \_\_\_\_\_ Model Number: \_\_\_\_\_

Machine Description: \_\_\_\_\_

Date of Purchase (MM/DD/YYYY): \_\_\_\_\_

Would you like to extend the warranty?  Yes  No

Company Name: \_\_\_\_\_

Telephone: \_\_\_\_\_

Email Address: \_\_\_\_\_

Type of Company:

Restaurant  Bakery  Deli

Butcher  Supermarket  Caterer

Institution (*specify*): \_\_\_\_\_

Other (*specify*): \_\_\_\_\_

Serial Number: \_\_\_\_\_

Date of Installation (MM/DD/YYYY): \_\_\_\_\_

**Thank you for choosing Omcan | Merci d'avoir choisi Omcan | Gracias por elegir Omcan**



Since 1951 Omcan has grown to become a leading distributor of equipment and supplies to the North American food service industry. Our success over these many years can be attributed to our commitment to strengthen and develop new and existing relationships with our valued customers and manufacturers. Today with partners in North America, Europe, Asia and South America, we continually work to improve and grow the company. We strive to offer customers exceptional value through our qualified local sales and service representatives who provide convenient access to over 6,500 globally sourced products.

---

Depuis 1951 Omcan a grandi pour devenir un des “leaders” de la distribution des équipements et matériel pour l’industrie des services alimentaires en Amérique du Nord. Notre succès au cours de ces nombreuses années peut être attribué à notre engagement à renforcer et à développer de nouvelles et existantes relations avec nos clients et les fabricants de valeur. Aujourd’hui avec des partenaires en Amérique du Nord, Europe, Asie et Amérique du Sud, nous travaillons continuellement à améliorer et développer l’entreprise. Nous nous efforçons d’offrir à nos clients une valeur exceptionnelle grâce à nos ventes locales qualifiées et des représentants de service qui offrent un accès facile à plus de 6500 produits provenant du monde entier.

---

Desde 1951 Omcan ha crecido hasta convertirse en un líder en la distribución de equipos y suministros de alimentos en América del Norte industria de servicios. Nuestro éxito en estos años se puede atribuir a nuestro compromiso de fortalecer y desarrollar nuevas relaciones existentes con nuestros valiosos clientes y fabricantes. Hoy con socios de América del Norte, Europa, Asia y América del Sur, que trabajan continuamente para mejorar y crecer la empresa. Nos esforzamos por ofrecer a nuestros clientes valor excepcional a través de nuestro local de ventas y representantes de los servicios que proporcionan un fácil acceso a más de 6,500 productos con origen a nivel mundial.

